



PRESSURE TRANSMITTERS

THE PCI3860 SERIES

With an integral cooling coil, by which the instrument's sensor and electronics are thermally insulated from the media temperature, and a 316L stainless steel flush diaphragm, the PCI3860 pressure transmitter has been designed for industrial pressure measurement situations operating with viscous materials at high temperatures.

Typical applications include petrochemical, waste water and slurry handling. The flush membrane can be easily cleaned for long term reliability and outstanding performance.

Robustly constructed from stainless steel the PCI3860 incorporates the latest strain gauge technology together with a custom IC amplifier offering excellent stability and accuracy over a long service life.

Electrical connection is via a detachable DIN connector allowing easy access to zero and span adjustment.



Standard Features

Pressure Ranges	0 to 6 bar through to 400 barG
Over-Pressure	Max. change $\pm 0.5\%$ FS at 1.5x FSD
Output Signal	4-20 mA (2 wire)
Zero Offset and Span Setting	± 0.08 mA
Process Media	fluids compatible with 316L stainless steel
Operating Temperature Range	0°C to 300°C
Temperature Effects	$\pm 2.5\%$ FS total error band for -20° to 70°C
Pressure Connection	1/2" BSP Male with integral nitrile seal and flush 316L diaphragm
Electrical Connection	Mating socket with screw terminal connections to DIN 43650, IP65-rated
Weight	260 grams
Certification	CE marked
Electromagnetic-compatibility:	
Emissions	EN50081-1
Immunity	EN50082-2

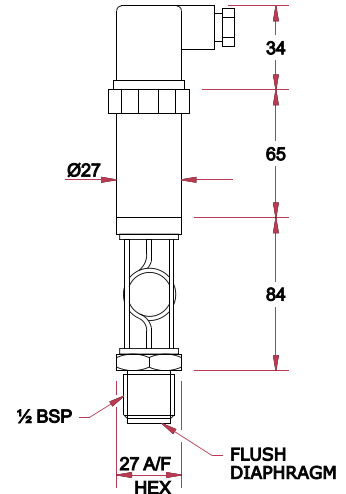
Supply Voltage:

Measured across supply terminals on connector plug

Type	Supply
4-20mA	13-36Vdc
0-5V	13-30Vdc
0-10V	13-30Vdc

Options	
Output Signal	0-5 Vdc (4 wire), 0-10 Vdc (4 wire)
Pressure Connection	1/2" NPT Male, 1" BSP Male
Intrinsically Safe Model	Ex 2 1 G D / EEx ia IIC T4

DIMENSIONS (MM)



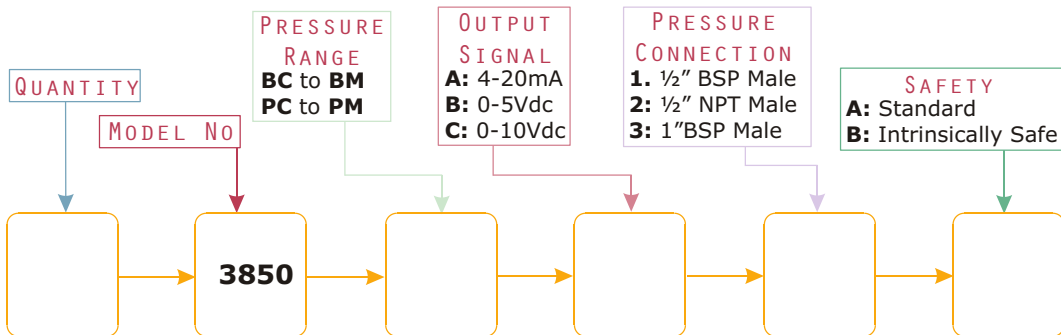


PRESSURE TRANSMITTERS



ORDERING MATRIX ~ PCI3850

Locate the order code for your specification and enter it into the appropriate box. See the pressure range codes page for further information.



ORDERING MATRIX ~ PCI3860

Locate the order code for your specification and enter it into the appropriate box. See the pressure range codes page for further information.

