



PF263 PRESSURE SWITCHES

PF263 pressure switches are designed for use in industrial conditions of high operating pressures. ATEX CAT 1 EExia IIC and CAT2 EExd IIB + H₂ T6 options are available allowing the switch to be used in hazardous environments.

Manufactured from high quality casting offering a robust construction with protection to IP66 for use within heavily polluted industrial and marine environments, special features include the separation of flameproof and adjustment compartments allowing for safe on-site adjustment of the set-point with power on and the switch in use and simple calibration adjustment against a scale plate.



Standard Features

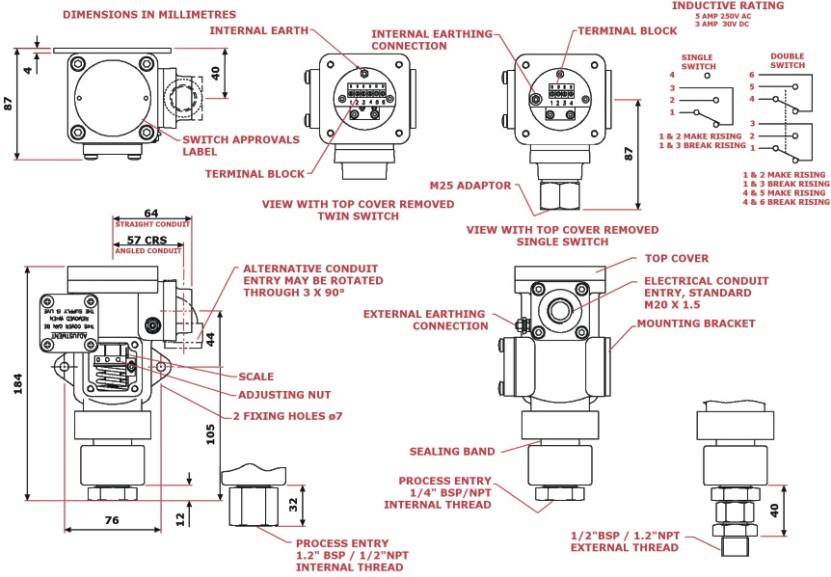
Feature	Standard	Option
Casing	316 stainless steel to IP66	Black anodised aluminium switchcase
Calibration	Adjustment scale	x
Pressure Settings	0.75 to 600 Bar	x
Microswitch	1 x SPCO/SPDT	Dual switches for simultaneous operation
Electrical Connections	Suitable for cable ø 0.5mm - 2.5mm ²	x
Electrical Conduit Entry	M20 x 1.5 straight	M20 angled, 1/2" NPT straight
Operating temperature	-40°C to +120°C	Fluorocarbon -20 to 150°C
Accuracy	+/- 1% at 20°C	x
Wetted parts	316 stainless steel	
Process connection	1/4" BSP.P female	1/4", 1/2" BSP.P or NPT female, 1/2" BSP.P or NPT male
Diaphragm material	Nitrile	Fluorocarbon, PTFE, EPDM
Fixing	Standard bracket	2" standpipe bracket
ATEX Flameproof Cert.	Industrial	CE Ex II2GD EEx IIB+H ₂ T6
ATEX I.S. Cert.	Industrial	CE Ex II1G EExia IIC T6

This range is used widely on rotating machinery and in process applications and has been specified extensively for offshore applications. The PF263 is piston-actuated for operating pressures up to 600 Bar (or higher on request).

Adjustment Range		Max. Working Pressure	Switching Differential	Spring Code	Piston Code
(Bar G)	PSI	(Bar G)	(Bar G)		
0.75 - 5.75	10 - 80	700	0.45 - 1.20	R	6
2.0 - 14.0	30 - 200	700	0.70 - 1.30	G	6
10 - 58	140 - 840	700	0.60 - 1.00	W	6
30 - 110	450 - 1650	700	1.40 - 2.50	W	4
80 - 240	1160 - 3480	700	4.30 - 9.40	X	3
100 - 320	1450 - 4640	700	3.60 - 9.10	W	2
180 - 420	2600 - 6100	700	8.00 - 16.00	X	2
200 - 600	2900 - 8700	700	16.00 - 32.00	W	1



PF263 PRESSURE SWITCHES



ORDERING MATRIX

Locate the order code for your specification and enter it into the appropriate box. See the previous page for more information about each option.

DIAPHRAGM MATERIAL

- A:** Nitrile
- D:** PTFE
- B:** Fluorocarbon
- E:** EPDM

MICROSWITCHES

- 1:** 1 x SPDT (open at set)
- 2:** 2 x SPDT (closed at set)
- 3:** 1 x SPDT (closed at set)
- 4:** 2 x SPDT (open at set)

PROCESS CONNECTION

- 1:** 1/4" BSP.P Female
- 2:** 1/4" NPT Female
- 5:** 1/2" BSP.P Female
- 6:** 1/2" NPT Female
- 7:** 1/2" BSP.P Male
- 8:** 1/2" NPT Male

MOUNTING

- 1:** Case-mounted
- 2:** Stem-mounted

SPECIFICATION

- A:** Industrial
- B:** ATEX EExd Certified
- O:** ATEX EExia Certified

FIXING

- 1:** Standard bracket
- 2:** 2" standpipe bracket

QUANTITY

CASING

- A:** Aluminium
- S:** Stainless Steel

SPRING CODE

see range table over-leaf

PISTON CODE

see range table over-leaf

MODEL NO

PF
263

Can be fitted with **DS** **FS**

Select the component you want to have connected to this pressure switch and write in the complete order number in the empty matrix above. Together with the pressure switch order number this completes the specifications for your instrument.