



TransPress 100

PRESSURE GAUGE WITH CERAMIC SENSOR TRANSMITTER

Model No.: TR 100

The **Transpress 100** is standard pressure gauge fitted with a 4 - 20 mA output transmitter for remote as well as instrument pressure monitoring.



Model	ø 100mm	ø 160mm
TP 100 A	bottom entry	
TP 100 C	back flange for wall mounting	
TP 100 E	front flange for panel mounting	

Standard Features:

Gauge Diameter	ø 100mm	ø 160mm
stainless steel case	high model with bayonet	
bourdon tube system	stainless steel	
blow-out disk	NBR	
window	plexiglas	
range in bar or equivalent	0 0/400	
thread bsp - npt - bspt	1/2"	
max. process temperature	-25 °C + 85 °C	
pointer	adjustable with slotted bush	

Transmitter Features:

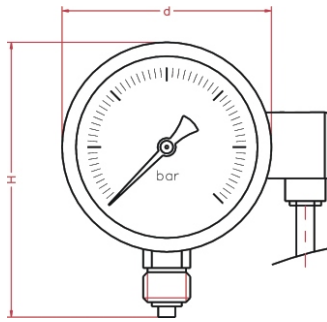
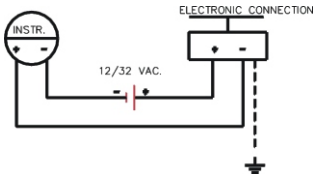
Electrical Data	
supply voltage	12 ... 32 VDC
insulation resistance	> 10 M Ohm, 250 VDC
electric strength	250 VAC, 50 Hz
Transmitter Output	
measuring range	0 ... 400 bar
signal output	4 ... 20 mA / 0 ... 10 VDC
repeatability	+/- 0.05% FS
accuracy NLH	+/- 0.5% FS (BSL through zero)
zero offset	+/- 0.3% FS
temperature coefficient zero	+/- 0.03%/K/FS; +/- 0.06%/K/FS max.
temperature coefficient span	+/- 0.03%/K/FS; +/- 0.06%/K/FS max.
rise time	1 ms/10 ... 90% nominal pressure
short circuit current (overpressure)	approx. 25 mA
Physical Data	
protection	IP 65
connection material	1.4305
sensor material	ceramic, Al ₂ O ₃ (96%)
EMC Protection	
emmission	EN 50081_1
immunity	EN 50082_2

OPTIONS	ø 100mm
silicone fill	*

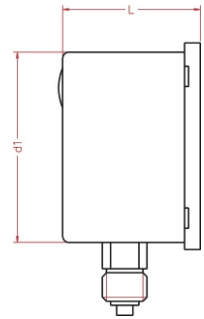
* = option available
 x = option unavailable
 s = standard feature

www.pci-instruments.com..... +44 (0) 1704 509090 sales@pci-instruments.com.....

Pressure Gauges



TYPE A



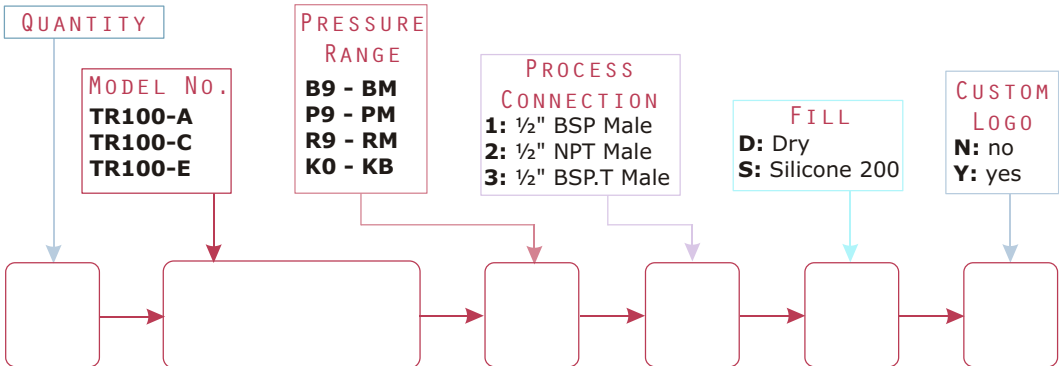
TYPE A

Dimensions	ø 100mm	ø 160mm
d in mm	117	160
d1 in mm	103	149
L in mm	86	86
H in mm	155	195
weight in kg	0.9	1.1



ORDERING MATRIX ~ TR100

Locate the order code for your specification and enter it into the appropriate box. See the above tables and the pressure codes reference section in the introduction for more details. Please note that some options may not be available with all models.



Can be fitted with

DS

FS

EC

If you want this gauge to be fitted with any of these process components, go to the relevant section of the catalogue and copy your gauge's order number onto the appropriate data sheet. Then simply add the specifications for your component.