



ElectroPress 100

CONTACT PRESSURE GAUGE

Model No.: ER100

The **ElectroPress 100** is a standard range pressure gauge fitted with a value-limiting electrical contact switch giving an inexpensive solution to pressure control within a limited range of process parameters.



Model	ø 100mm
ER 100 D	back entry
ER 100 A	bottom entry
ER 100C	back flange for wall mounting

Standard Features:

Case with bayonet bezel	stainless steel AISI 304
Bourdon tube system	brass
Blow-out disk	buna N
Window	plexiglas
Range in bar	-1/0 0/600
Connection	1/2" BSP, NPT or BSP.T
Max. process temperature	60 °C
Accuracy at 20°C	1.60%
Contacts	single or double,
Cable	PVC, 1 metre

OPTIONS	ø 100mm
wetted parts stainless steel AISI 316	*
DIN connector	*
restrictor in connection	*

* = option available
 x = option unavailable
 s = standard feature

Two type of contact are available:

Low-Action Contacts (S)

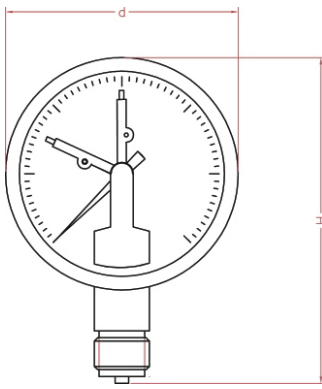
Low-action contacts can be used where high contact loads are not required and there is no vibration. They cannot be used in potentially explosive areas due to sparking, nor where oxidation of the contact components in an aggressive atmosphere may be possible.

Magnetic Contacts (M)

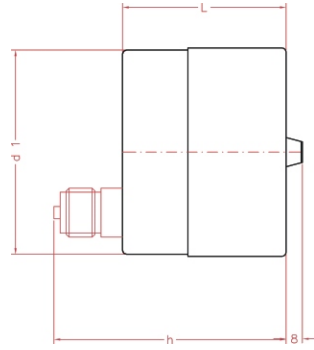
Magnetic contacts can be virtually used under all conditions, being largely insensitive to vibration. The contact pin holder of the setting pointer is fitted with an adjustable magnet which attracts the contact arm just before the preset level is reached. This avoids arcing and scorching of the contact pin.

Single and double contacts are both available for magnetic and low-action. The combinations in the table assume that the pointer moves clockwise as it passes the set point. Please note that the DPDT (33) is not available for low-action contacts, only for magnetic.

Code	Contact 1	Contact2
01	closes	
02	opens	
03	single change over contact (SPDT)	
11	closes	closes
12	closes	opens
22	opens	opens
21	opens	closes
33	double change over contact (DPDT)	



TYPE A



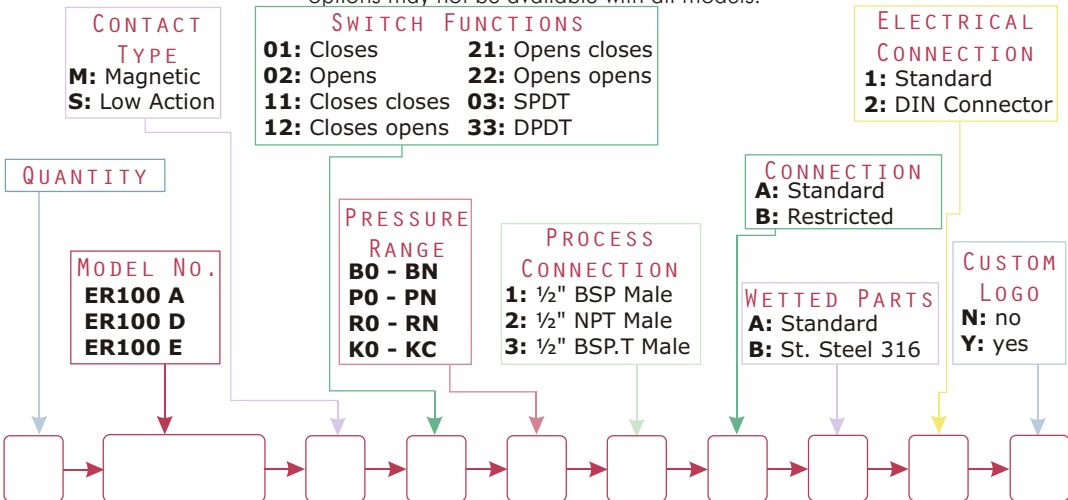
TYPE D

Dimensions	ø 100mm
d (mm)	102
d1 (mm)	100
L (mm)	78
H (mm)	136
Weight (kg)	0.9



ORDERING MATRIX ~ ER100

Locate the order code for your specification and enter it into the appropriate box. See the above tables and the pressure codes reference section in the introduction for more details. Please note that some options may not be available with all models.



Can be fitted with

DS

FS

EC

If you want this gauge to be fitted with any of these process components, go to the relevant section of the catalogue and copy your gauge's order number onto the appropriate data sheet. Then simply add the specifications for your component.