



# BiPress 500

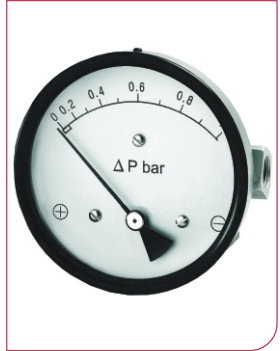
PISTON DIFFERENTIAL PRESSURE GAUGE

**Model No.:** BP 500

The **BiPress 500** is a differential pressure gauge with piston sensor assembly and inline connection, for use in clean fluid applications with static pressure up to 200 bar.

**Standard Features:**

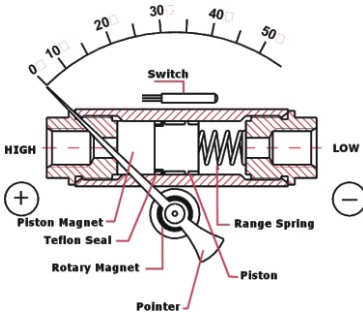
Case	stainless steel IP65	
Body	aluminium	
Piston system	stainless steel	
Window	glass	
Ranges (bar)	0/0.25 0/0.50 0/0.75 0/1 0/2 0/3 0/4 0/7 0/10	
Process Connection	1/4" NPT female	
Max. process temperature	80 °C	
Accuracy at 20°C	2.00%	
Static pressure	200 bar	
Wetted parts	PTFE, SS304 spring and screw, ceramic magnet	
Seals	Buna N	



High and low pressures are separated by a sensor assembly consisting of a magnet, piston, PTFE seal and a range spring. The pressure differential causes the sensor assembly to move in proportion to the change with respect to the range spring.

Located in a separate body cavity and isolated from the acting pressures, a rotary magnet responds proportionately to the linear movement of the sensor assembly. A pointer attached to the rotary magnet indicates differential pressure on the dial.

Reed switches are located adjacent to the pressure chamber and are activated by the magnetic field of the sensor assembly.



options	ø 50/63mm	ø 80/100mm	ø 150mm
flush-panel mounting	*	*	*
glycerine filling	*	X	X
stainless steel body	*	*	*
brass body	*	*	*
with 1 reed contact (SPST)	*	*	*
with 2 reed contacts (SPST)	*	*	*
with 1 reed contact (SPDT)	*	*	*
Viton seals	*	*	*

\* = option available  
 x = option unavailable  
 s = standard feature

www.pci-instruments.com..... +44 (0) 1704 509090 ..... sales@pci-instruments.com.....

