



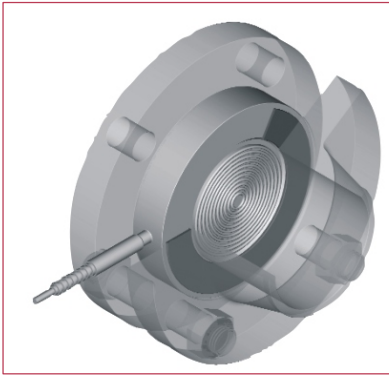
FLANGED DIAPHRAGM SEALS

BC FLANGED DIAPHRAGM SEAL

Assembly with sealing face, integral diaphragm and side-entry capillary process connection, to be sandwiched between two stock flanges.

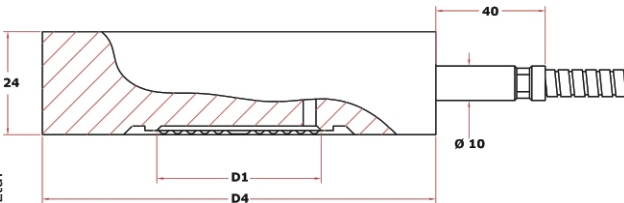
Standard Features

Process Connection Flanged	ASME	4" / 3"	3"	2"	2"
	DIN	DN100 / DN80	DN80	DN50	DN50
Diaphragm Size		89mm	72mm	57mm	44mm
Max. process pressure in bar at 20 °C		414	414	414	414
Min. span for GP & AP in mbar		80	200	600	1250
Min. span for DP in mbar		10	20	100	300
Min. pressure range for PI in bar		0.5	0.5	0.6	1.6
Max. capillary length in meter		15	15	15	10

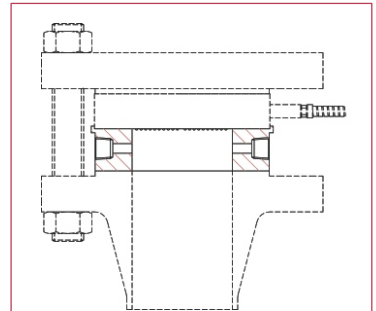


Flange Standard	Standard	Options
ASME B16.5	size:	2"; 3"; 4"
	rating:	150; 300; 600 #
	facing:	raised face (RF)
	finish:	factory standard
DIN 2501	DN:	50; 80; 100
	PN:	10; 25; 40 bar
	form:	D, acc. DIN 2526
	finish:	factory standard
JIS	on request	

Wetted Parts	Standard	Options
Flange	AISI-316 (L)	Hastelloy B2, Hastelloy C276, Inconel 600 / 686, Monel 400, Nickel 200, Titanium
Diaphragm (weld in process)	AISI-316 L	Hastelloy B2, Hastelloy C276, Inconel 600 / 686, Monel 400, Nickel 200, Tantalum, Titanium
Coatings:		ETFE, FEP, PFA, PTFE, PVDF, gold, silver



See appendix for all flange dimensions and pressure ratings.



Support Pipe Mounting Option

Construction	Standard	Options
Process Connection	Side-entry capillary	
Capillary	Armoured st. steel	
Mounting		Support pipe (see drawing)
Transmission Fill	TO -05	TO-23, TO-31, TO-41, TO-47



FLANGED DIAPHRAGM SEALS

DP = differential pressure
GP = gauge pressure
AP = absolute pressure

Process Connection		Minimum Span (mbar)			Pressure Gauge Minimum Range (bar)		
		Transmitter Type			Gauge Diameter (mm)		
Flange Size	Diaphragm Diameter (mm)	GP	AP	DP	ø 63	ø 100	ø 160
2" / DN50	44	1250	1250	300	1.6	1.6	1.6
2" / DN50	57	600	600	100	0.6	0.6	0.6
3" / DN80	72	200	200	20	0.5	0.5	0.5
3" / DN80	89	80	80	10	0.5	0.5	0.5
4" / DN100	89	80	80	10	0.5	0.5	0.5

Effects of temperature on pressure readings per ±10 °C (in mbar)
 ~ measured from 20°C

Process Connection		Transmitter Type			Transmitter Type				
Flange Size	Diaphragm Diameter (mm)	DP	Seal	Capillary per metre	GP	AP	Seal	Capillary per metre	
2" / DN50	44	0.2	1.24	2.28	1.9	1.9	4.9	10.35	
2" / DN50	57	0.15	0.66	0.63	1.7	1.7	2.65	3.9	
3" / DN80	72	0.1	0.24	0.2	0.55	0.55	0.95	1.2	
3" / DN80	89	0.04	0.09	0.08	0.19	0.19	0.39	0.4	
4" / DN100	89	0.04	0.09	0.08	0.19	0.19	0.39	0.4	



ORDERING MATRIX

Locate the order code for your specification and enter it into the appropriate box. See the Diaphragm Seals introduction and the tables on the previous page for more information about each component.

PROCESS CONNECTION

FLANGE
A: ASME 2"
B: ASME 3
C: ASME 4"
D: DIN 50
E: DIN 80
F: DIN 100

MATERIAL
1: 316L St. Steel
2: Hastelloy B2
3: Hastelloy C276
4: Inconel 600
5: Inconel 686
6: Monel 400
7: Nickel 200
8: Titanium

PRESSURE RATING
1: 150#
2: 300#
3: 600#
4: 10 bar
5: 25 bar
6: 40 bar

DIAPHRAGM CONSTRUCTION

MATERIAL
1: 316L St. Steel
2: Hastelloy B2
3: Hastelloy C276
4: Inconel 600
5: Inconel 686
6: Monel 400
7: Nickel 200
8: Titanium
9: Tantalum

LININGS/ COATINGS
0: None
1: ETFE
2: FEP
3: PFA
4: PTFE
5: PVDF
6: Gold
7: Silver

DIAMETER
A: 44mm
B: 57mm
C: 72mm
D: 89mm

CAPILLARY
A: No
B: Side Entry
C: Top Entry

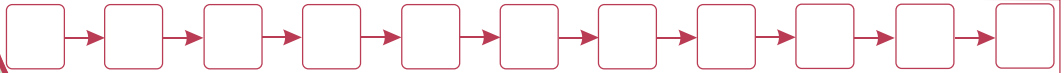
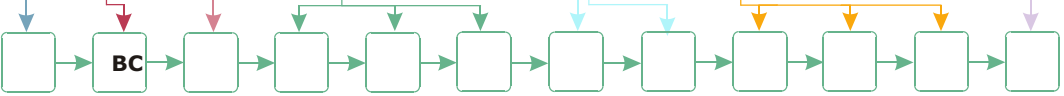
TRANSMISSION FILL
1: Standard
2: TO - 23
3: TO - 31
4: TO - 41
5: TO - 47

CAPILLARY LENGTH
A: 1m **D:** 3m **G:** 8m
B: 1.5m **E:** 4m **H:** 10m
C: 2m **F:** 6m **I:** 15m

CERTIFICATES
1: calibration test certificate
2: conformity certificate
3: material certificate
4: NACE certificate

QUANTITY

MODEL



Can be fitted to

PG TR PS

Select the instrument you want to have connected to this flanged seal and write in the complete order number in the empty matrix above. Together with the seal order number this completes the specifications for your instrument.