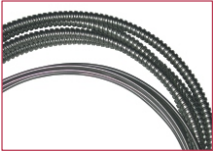
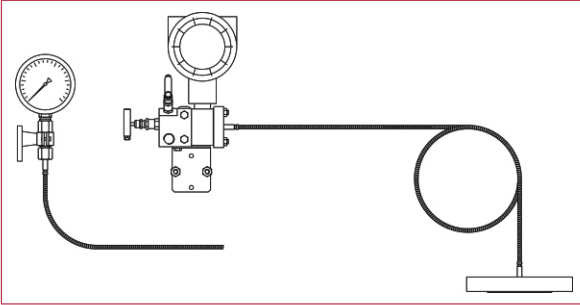


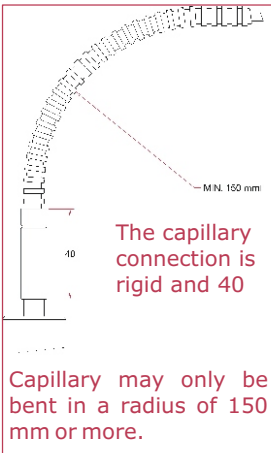
CAPILLARY PROPERTIES

Capillary tubing is used to transmit the pressure of a process from the diaphragm seal to a remote measuring device, usually either a gauge or a transmitter.



Seamless capillary tubing comes with or without an armoured jacket. Standard capillary has an internal diameter (ID) of 2mm although an ID of 1mm is also possible but can adversely influence the response time and the accuracy if used incorrectly.

The fill fluid together with the ambient and process temperatures both affect transmission through a capillary tube and both must be carefully considered when selecting capillary.



Each data sheet for the individual seals in our catalogue carries a table with data to help calculate the effects that temperature and the length of capillary tubing in your process will have on the accuracy readings of the instruments.

For more information on selecting fill fluids see the previous section.

